

2023

 **Comfortex**
WINDOW FASHIONS

Distributed by:

**MDS**
WINDOW FASHIONS

Midwest
Designer
Supply

1-888-523-2611



VERTICAL SHEER SHADINGS

Manufacturer's Price List and Reference Guide
Effective April 17, 2023



Detailed Table of Contents



Hardware



Photos



Price Grids



Videos



Product Specifications



Installation




General Information



Web



 Requires you to leave document

Vertical Sheer Shadings Price List - Effective 04.17.2023

Version 1

Original Price List Effective April 17, 2023

Uploaded 03/17/2023



 **Hardware**

 **Size Standards**

 **Hardware Options Pricing**

Vertical Sheer Shadings

SIZE STANDARDS

		Wand/Cord	Moving Wand*
Vertical Sheer Shadings	Minimum Width	12"	12"
	Minimum Length	24"	24"
MAXIMUMS			
Vertical Sheer Shadings	Maximum Width	192"	144"
	Maximum Length	120"	100"

Please Note: Two side stack shadings (one left and one right) may be abutted to achieve larger maximum widths. This is not recommended with moving wands.

*Moving wand is only available with outside mount side stack shadings.



Vertical Shadings Panel Design

Comfortex Vertical Sheer Shadings features contoured sheer fabric columns with soft 3½" fabric vanes attached.

The top of the Vertical Sheer Shadings features a 5¼" fabric header that conceals the hardware.

Choose from light filtering or room darkening vanes.

Finished Dimensions	
Inside/Ceiling Mount	
Fabric Width	<ul style="list-style-type: none"> Fabric will measure ordered width less: ¼" Side Stack Head rail will measure ordered width less: 1½" Split Stack Head rail will measure ordered width less: 1¼"
Fabric Length	<ul style="list-style-type: none"> Fabric will measure ordered length (overall) less: 1" Top Clearance will measure ordered length less: ½" Bottom Clearance will measure ordered length less: ½"
Fabric Header Height	<ul style="list-style-type: none"> 5¼"
Outside Mount	
Fabric Width	<ul style="list-style-type: none"> Fabric will measure ordered width Side Stack Head rail will measure ordered width less: 1¼" Split Stack Head rail will measure ordered width less: 1"
Fabric Length (for top clearance)	<ul style="list-style-type: none"> Fabric will measure ordered length minus: ½"
Fabric Header Height	<ul style="list-style-type: none"> 5¼"

Please Note: Width and length measurements may vary +/- ⅛"



1

3½" Vertical Sheer Shadings
Light Filtering



2

3½" Vertical Sheer Shadings
Room Darkening

Vertical Sheer Shadings

PRICING

3½" Vertical Sheer Shadings

PRICE GROUP 1
Light Filtering

		Width In Inches																	
		24	36	48	54	60	66	72	78	84	90	96	108	120	132	144	156	174	192
Length In Inches	48	851	1059	1243	1333	1430	1557	1650	1742	1843	1974	2096	2258	2701	2985	3191	3392	3595	3891
	60	946	1184	1403	1513	1635	1785	1891	1998	2117	2270	2409	2604	3065	3371	3593	3813	4026	4353
	72	1031	1336	1615	1748	1891	2055	2191	2319	2464	2643	2800	3224	3745	4117	4394	4683	4951	5378
	84	1103	1447	1799	1946	2102	2291	2433	2589	2738	2936	3115	3371	3909	4288	4582	4883	5168	5603
	96	1190	1569	1902	2052	2224	2420	2578	2740	2904	3121	3305	3656	4222	4637	4952	5279	5600	6076
	108	1421	1872	2304	2517	2763	3032	3235	3450	3658	3913	4140	4491	5037	5452	5778	6106	6409	6898
120	1598	2099	2610	2857	3174	3495	3732	3986	4237	4524	4773	5190	5697	6111	6433	6761	7034	7510	

Solid lines indicates the maximum width and length of Vertical Sheer Shadings available with a Moving Wand.

3½" Vertical Sheer Shadings

PRICE GROUP 2
Room Darkening

		Width In Inches																	
		24	36	48	54	60	66	72	78	84	90	96	108	120	132	144	156	174	192
Length In Inches	48	1002	1243	1459	1567	1681	1829	1940	2045	2165	2319	2462	2655	3174	3508	3751	3989	4223	4576
	60	1112	1392	1652	1779	1920	2098	2223	2348	2488	2662	2833	3059	3602	3959	4219	4482	4729	5120
	72	1213	1572	1898	2052	2223	2417	2576	2728	2896	3102	3288	3784	4399	4837	5160	5503	5818	6323
	84	1297	1700	2116	2286	2473	2692	2863	3043	3222	3448	3656	3958	4594	5041	5385	5738	6073	6585
	96	1397	1843	2233	2414	2615	2846	3032	3224	3416	3661	3879	4294	4960	5447	5817	6201	6579	7142
	108	1670	2196	2710	2956	3250	3562	3804	4056	4299	4599	4863	5273	5917	6405	6789	7177	7533	8104
120	1878	2471	3067	3358	3732	4108	4388	4686	4982	5313	5606	6099	6694	7177	7558	7942	8267	8827	

Solid lines indicates the maximum width and length of Vertical Sheer Shadings available with a Moving Wand.

LIFT SYSTEM AND DESIGN UPGRADES		ADD
	Split Stack Moving Wand (Available on Outside Mount Shadings only)	\$355 FREE



Standard Hardware

Vertical Sheer Shadings

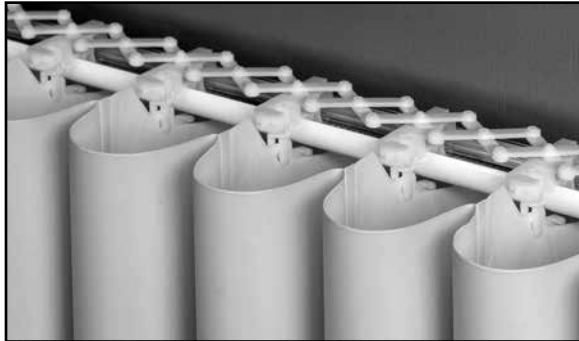
GENERAL INFORMATION

Vertical Sheer Shadings Hardware

Vertical Sheer Shadings use a proven scissor track system. Track system is white and hidden behind the fabric header.

Scissors expand when the sheer is drawn closed and compress when the sheer is drawn open.

Vane realignment is easy — rotate the vanes first to one side and then the other.



Controls and Control Placement

Vertical Sheer Shadings are operated with wand/cord combination or a moving wand option.

Wand/Cord Control

- With the wand/cord, pull the cord to traverse the fabric and twist the wand to rotate the vanes. Be sure to use both hands to avoid twisting the cord.
- Wand/cord placement: the shading stacks on same side as wand/cord; for split stack or offset stack, choose left or right control.
- See the next column for standard wand/cord lengths.



Moving Wand

- The moving wand is a cordless wand control system that traverses the fabric and rotates the vanes.
- Moving wand is available with **outside mount shadings only**.
- The placement of moving wand is opposite side of stack.
- See the next column for standard wand lengths.



Wand/Cord Lengths

- Wand/cord length is measured from top of fabric to bottom of wand.
- **Placement:** Wand/cord: the shading stacks on same side as wand/cord; for split stack or offset stack, choose left or right control.

Ordered Shading Length	Standard Wand/Cord Length
24" to 40"	24"
40 $\frac{1}{8}$ " to 60"	36"
60 $\frac{1}{8}$ " to 96"	48"
96 $\frac{1}{8}$ " to 108"	60"
108 $\frac{1}{8}$ " to 120"	72"

- Custom lengths for the wand/cord may be specified when ordering. Choose from 24", 36", 48", 60" and 72" lengths at no additional charge.
- Non-standard wand/cord lengths are not available.

Moving Wand Length

- Wand length is measured from top of fabric to bottom of wand.
- **Placement:** Moving wand: the shading stacks on opposite side of wand; available on outside (OB) mount side stack only.

Ordered Shading Length	Wand Length
24" to 48"	23"
48 $\frac{1}{8}$ " to 84"	30"
84 $\frac{1}{8}$ " to 100"	40"

Vertical Sheer Shadings

GENERAL INFORMATION

Vertical Sheer Shadings Fabrics and Vanes

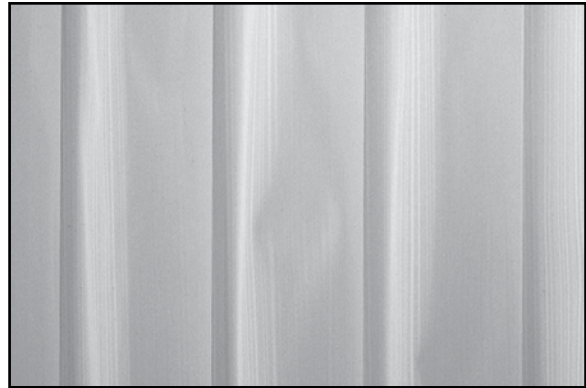
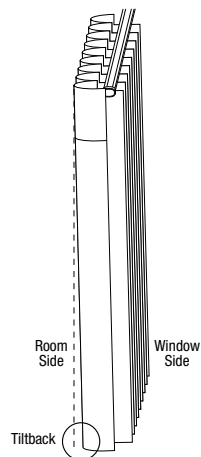
Vertical Sheer Shadings are a beautiful option for covering a variety of windows. However, they are a textile product which will never be perfect. By understanding some of the qualities of the fabric used in Vertical Sheer Shadings, you will be able to set clear expectations during the sales process.

Fabric and Vanes

- Vertical Sheer Shadings are 100% polyester for durability and easy care. The 3½" stationary vanes are permanently bonded to the rear of the face fabric, providing a uniform appearance to the home's exterior.
- Color is carried by the sheer fabric; vanes are white.
- Vanes available in two opacities: light filtering and room darkening.
- The Vertical Sheer Shadings fabrics are subject to the variations associated with all textiles, such as slight wrinkles or puckers.

Tiltback

Additional weight of the face fabric in front causes the fabric to hang at a slight angle, called "tiltback." This is an inherent characteristic of the product and may be more noticeable on shorter panels.



Puckering



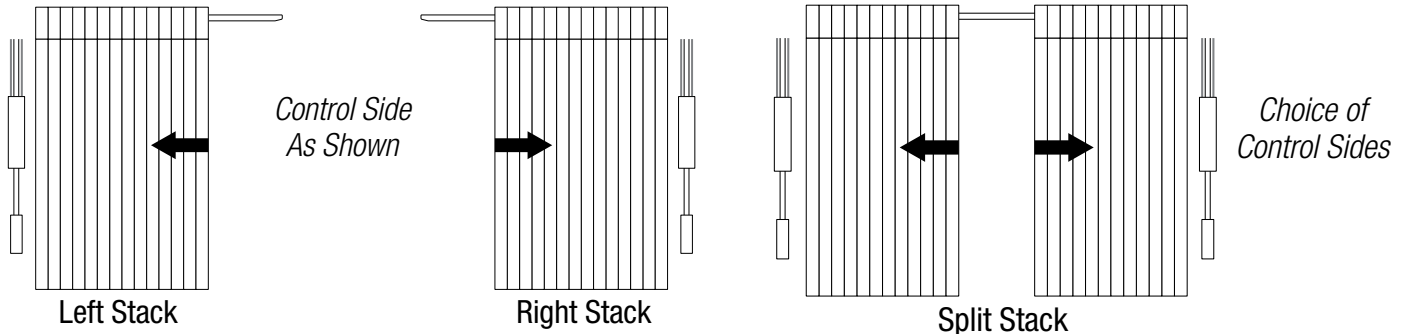
Tilt Back

Vertical Sheer Shadings

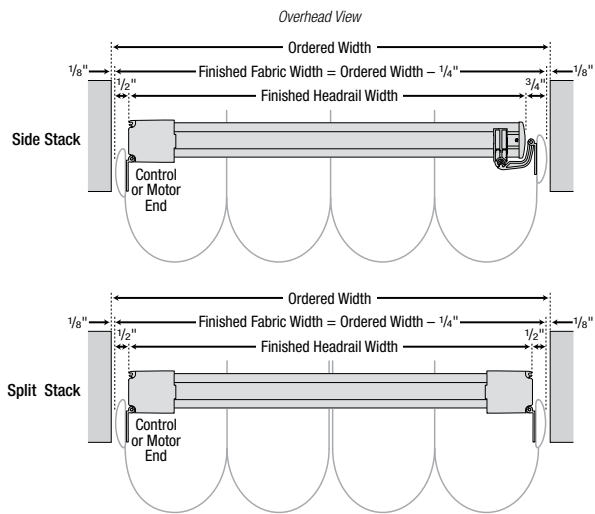
GENERAL INFORMATION

Product Configurations

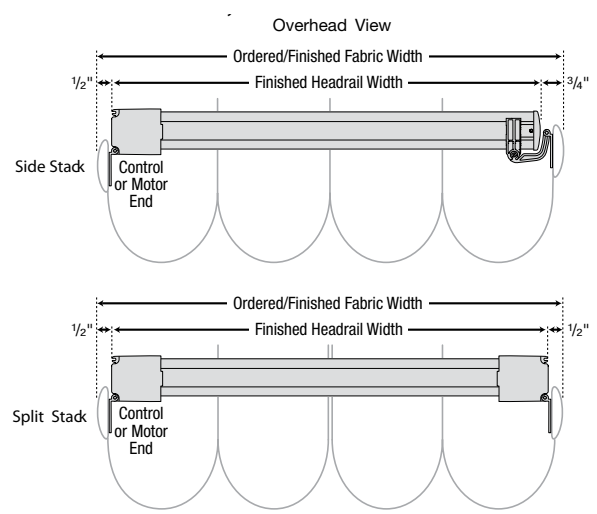
Choose from three stacking designs: left stack, right stack or split stack.



Inside Mount Finished Dimensions



Outside Mount Finished Dimensions





Mounting Requirements



Measuring



Panel Gaps



Child Safety



Stackback



Cleaning And Care



Brackets

Vertical Sheer Shadings

GENERAL INFORMATION

Vertical Sheer Shadings Design and Operation

Outside Mount Installation

Specifying Vertical Sheer Shadings as outside mounts is ideal because the vanes and fabric are allowed to operate freely.

- Outside mounts provide complete fabric coverage and enhance light control and privacy features.
- Outside mounts allow the shading to be stacked back off of the window opening for an unobstructed view.

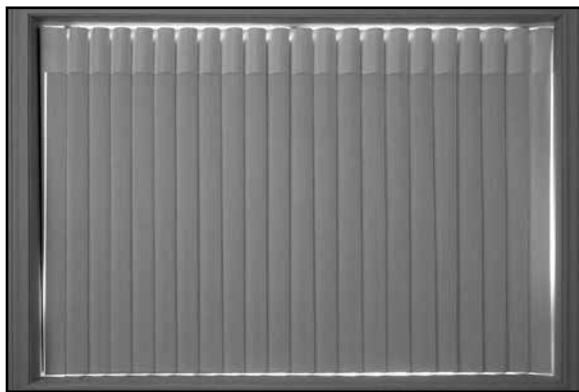
WHY INSIDE MOUNTS ARE NOT RECOMMENDED

- Vertical Sheer Shadings are not recommended as inside mounts due to light gaps that occur on the sides of the sheer when the vanes are closed.
- Inside mounting prevents the end treatments from rotating with the vanes. This results in light gaps on the sides of the sheer when the vanes are closed, as well as compressed end fabrics.

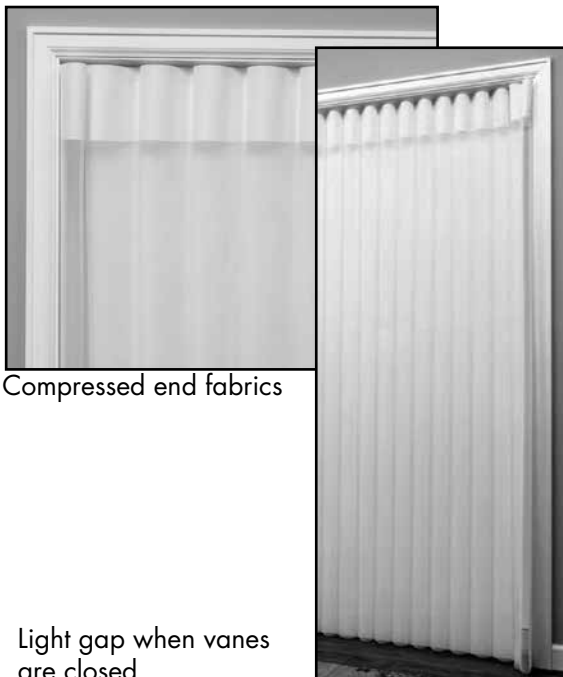
Vane Closure Gap

The closed vanes of Vertical Sheer Shadings are designed to overlap for privacy when viewed straight on.

- Light leakage may occur due to the vane closure gap, which may increase with the length of the shading.
- The vane closure gap is most visible when viewed from the side. It is a normal, inherent characteristic of the product and should not be considered a defect.
- Vane closure is tighter in one direction than the other when the vanes are rotated closed.



Light gaps around the window frame that occur with Inside Mount Shadings



Compressed end fabrics

Light gap when vanes are closed

Vertical Sheer Shadings

GENERAL INFORMATION

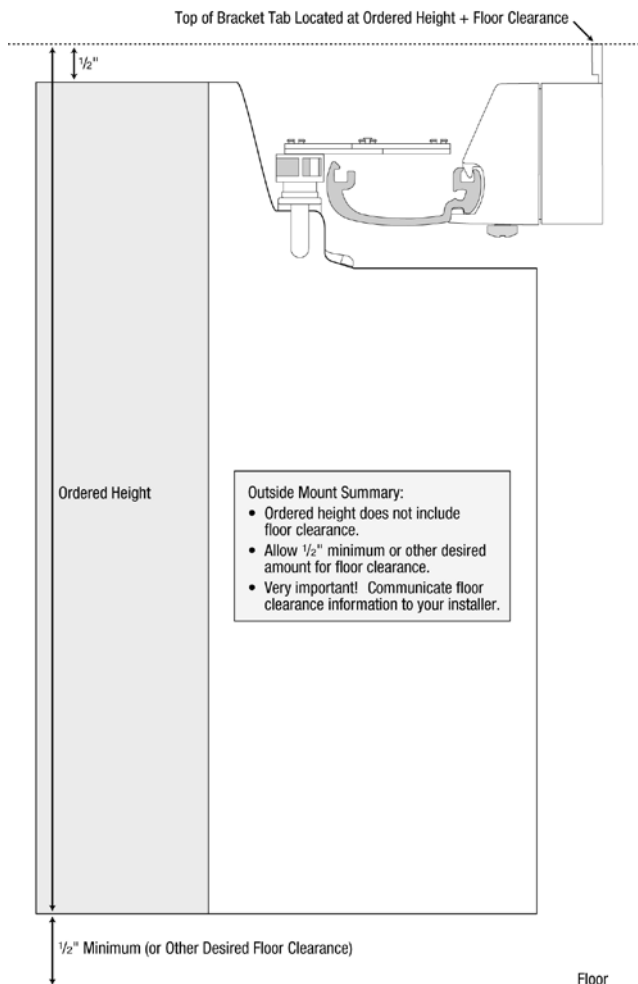
Measuring, Mounting Requirements and Installation Information

Outside Mount

- Minimum mounting surface height with Standard Bracket: 1 1/8"
- Minimum mounting surface height with Extension Bracket: 1 3/8"
- Recommended top overlap: 5"
- Recommended minimum overlap per side (and bottom overlap when product does not hang to floor): 5"
- Recommended bottom clearance when product hangs to floor (deduct before ordering): 1/2"

Outside Mount Ordered Height

- Outside mount ordered height is the distance from the bottom of the fabric to 1/2" above the top of the fabric, where the top of the bracket tab will be located.
- When measuring, plan on the bottom of the fabric being located a minimum of 1/2" above the floor for operating clearance.
- Allow the recommended amount of top overlap and check that the bracket can be mounted on a 1 1/8" flat, not curved, vertical surface.



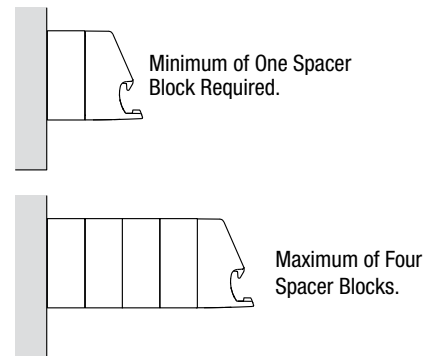
Inside/Ceiling Mount

Inside/ceiling mount brackets are used for inside and ceiling mounts. These brackets are also used with extension brackets for outside mounts needing extra clearance.

- Minimum mounting depth: 1"
- Minimum mounting depth, fully recessed: 6 1/4"

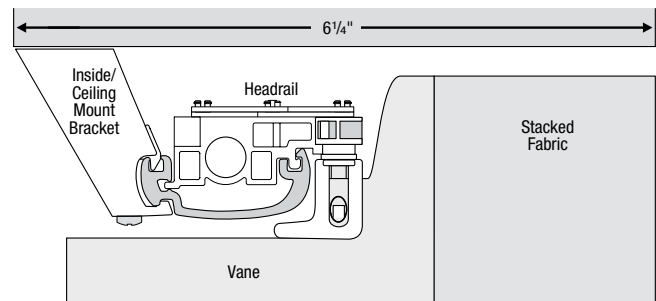
Spacer Blocks

- Each spacer block projects an outside mount installation bracket 1/2" away from the mounting surface.
- There must be sufficient rear clearance for proper operation.
- One spacer block is required for the 3 1/2" vane size.



Extension Brackets

- Standard extension brackets can provide up to 3 1/2" of clearance.
- Extra Large extension brackets can provide up to 5 1/2" of clearance.

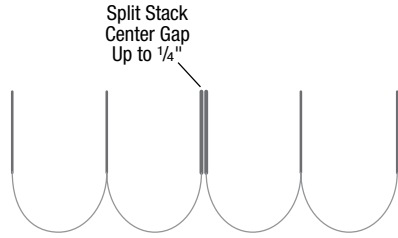


Vertical Sheer Shadings

GENERAL INFORMATION

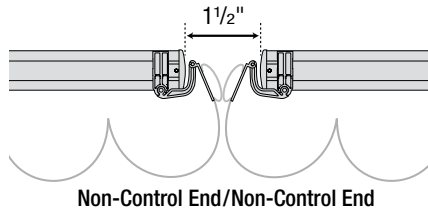
Split Stack Center Gap

- The maximum distance between fabric panels of a split stack design is 1/4".



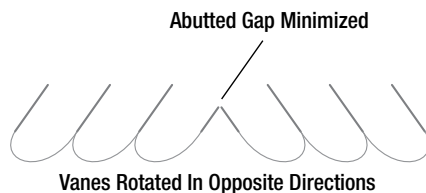
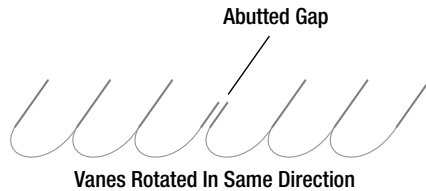
Side-By-Side (Abutted) Applications

- Outside-mounted side stack shadings may be abutted at the non-control ends to achieve wider widths up to 384".
- Abutted applications utilize two independent head rails and will appear and function differently than a split stack application utilizing a single head rail.
- No deductions or special order entries are necessary.
- At installation, position the ends of the rails 1 1/2" apart for optimal appearance and function.
- Please Note:** The moving wand is not recommended for abutted applications.



Abutted Gap

- For best closure on shadings with abutted installations, the vanes should be rotated in opposite directions to minimize the abutted gap, as shown below.



Return Gaps

Outside mount applications have return gaps, which is the distance between the end treatments and the wall.

Gap Dimensions

Return Gap – Side Stack

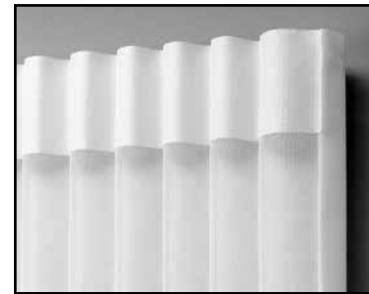
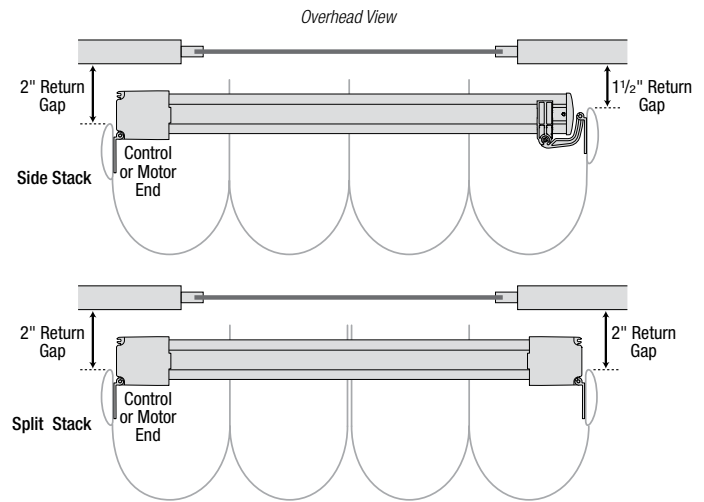
- Control (wand/cord) end 2"
- Non-control (traveling) end 1 1/2"

Return Gap – Split Stack

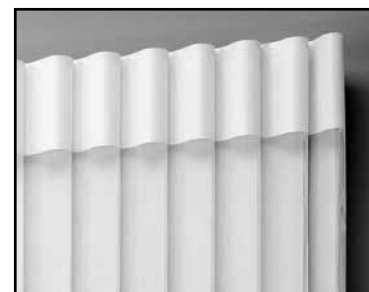
- Both ends 2"

Center Gap

- Split stack up to 1/4"



Return gap



All vanes fully rotate

Vertical Sheer Shadings

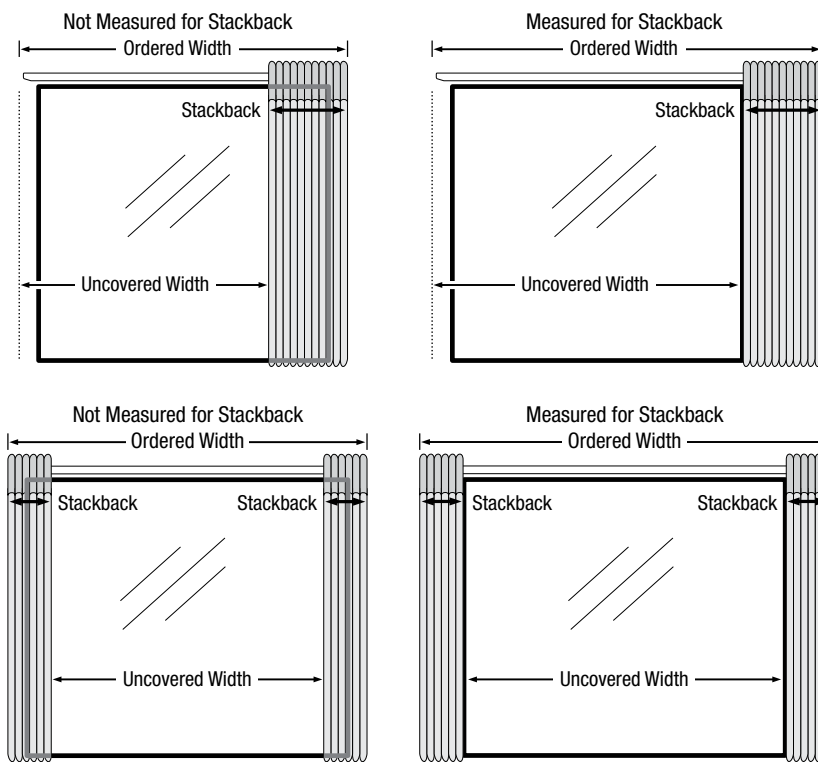
GENERAL INFORMATION

Stackback

- Outside mounted shadings may be ordered so that the window opening is completely uncovered when the fabric is drawn open, as shown in the illustrations at the bottom of the page.
- Refer to the Stackback charts on page 13.
- Stackback is measured at the top of the shading.

Using the Stackback Charts

- Determine the desired uncovered width when the shading is drawn fully open.
 - With side stack designs, be sure to include in your uncovered width measurement the desired fabric overlap on the side opposite the fabric stack.
- Locate that width on the Stackback chart.
- Move across the row to find the correct ordered width.
- The Stackback dimension is shown in the column between the uncovered width and ordered width.
- Determine the desired uncovered width when the shading is drawn fully open.



UV Protection

Ultraviolet light, entering the home as sunlight, damages furnishings. In time it fades wood floors, furniture, upholstery, draperies, carpeting and artwork. Prolonged exposure to sunlight causes natural, undyed fabrics to turn yellow, weakening their fibers and making them look old and worn prematurely.

The right window covering can be very effective in blocking ultraviolet rays. Such effectiveness is measured in terms of a “% UV blockage” rating. The higher the rating, the greater the UV protection.

Vertical Sheer Shading fabrics have the following UV Protection ratings:

Open Vanes	88%
Closed Vanes	99%

Vertical Sheer Shadings

GENERAL INFORMATION

Stackback Charts

- The Stackback charts account for the typical stacking of the scissor track. As with any textile product, some variation is typical.
- On side stack shadings, include in your uncovered width measurement the desired amount of fabric overlap on the side opposite the fabric stack.
- Moving wand is not available in a split stack configuration.

OUTSIDE MOUNT

Side Stack		
Uncovered Width Up To	Stackback Up To	Ordered Width
5 ³ / ₈ "	7 ³ / ₈ "	12 ³ / ₄ "
7 ³ / ₄ "	7 ⁷ / ₈ "	15 ⁵ / ₈ "
10 ¹ / ₈ "	8 ³ / ₈ "	18 ¹ / ₂ "
12 ¹ / ₂ "	8 ⁷ / ₈ "	21 ³ / ₈ "
14 ⁷ / ₈ "	9 ³ / ₈ "	24 ¹ / ₄ "
17 ¹ / ₄ "	9 ⁷ / ₈ "	27 ¹ / ₈ "
19 ⁵ / ₈ "	10 ³ / ₈ "	30"
22"	10 ⁷ / ₈ "	32 ⁷ / ₈ "
24 ³ / ₈ "	11 ³ / ₈ "	35 ³ / ₄ "
26 ³ / ₄ "	11 ⁷ / ₈ "	38 ⁵ / ₈ "
29 ¹ / ₈ "	12 ³ / ₈ "	41 ¹ / ₂ "
31 ¹ / ₂ "	12 ⁷ / ₈ "	44 ³ / ₈ "
33 ³ / ₄ "	13 ³ / ₈ "	47 ¹ / ₈ "
36 ¹ / ₈ "	13 ⁷ / ₈ "	50"
38 ¹ / ₂ "	14 ³ / ₈ "	52 ⁷ / ₈ "
40 ⁷ / ₈ "	14 ⁷ / ₈ "	55 ³ / ₄ "
43 ¹ / ₄ "	15 ³ / ₈ "	58 ⁵ / ₈ "
45 ⁵ / ₈ "	15 ⁷ / ₈ "	61 ¹ / ₂ "
48"	16 ³ / ₈ "	64 ³ / ₈ "
50 ³ / ₈ "	16 ⁷ / ₈ "	67 ¹ / ₄ "
52 ³ / ₄ "	17 ³ / ₈ "	70 ¹ / ₈ "
55 ¹ / ₈ "	17 ⁷ / ₈ "	73"
57 ¹ / ₂ "	18 ³ / ₈ "	75 ⁷ / ₈ "
59 ⁷ / ₈ "	18 ⁷ / ₈ "	78 ³ / ₄ "
62 ¹ / ₈ "	19 ³ / ₈ "	81 ¹ / ₂ "
64 ¹ / ₂ "	19 ⁷ / ₈ "	84 ³ / ₈ "
66 ⁷ / ₈ "	20 ³ / ₈ "	87 ¹ / ₄ "
69 ¹ / ₄ "	20 ⁷ / ₈ "	90 ¹ / ₈ "
71 ⁵ / ₈ "	21 ³ / ₈ "	93"
74"	21 ⁷ / ₈ "	95 ⁷ / ₈ "
76 ³ / ₈ "	22 ³ / ₈ "	98 ³ / ₄ "
78 ³ / ₄ "	22 ⁷ / ₈ "	101 ⁵ / ₈ "
81 ¹ / ₈ "	23 ³ / ₈ "	104 ¹ / ₂ "
83 ¹ / ₂ "	23 ⁷ / ₈ "	107 ³ / ₈ "

Please Note:

- The maximum uncovered width of side stack sheers is 153¹/₈".
- Include in your uncovered width measurement the desired amount of fabric overlap on the side opposite the fabric stack.

Uncovered Width Up To	Stackback Up To	Ordered Width
85 ⁷ / ₈ "	24 ³ / ₈ "	110 ¹ / ₄ "
88 ¹ / ₄ "	24 ⁷ / ₈ "	113 ¹ / ₈ "
90 ⁵ / ₈ "	25 ³ / ₈ "	116"
92 ⁷ / ₈ "	25 ⁷ / ₈ "	118 ³ / ₄ "
95 ¹ / ₄ "	26 ³ / ₈ "	121 ⁵ / ₈ "
97 ⁵ / ₈ "	26 ⁷ / ₈ "	124 ¹ / ₂ "
100"	27 ³ / ₈ "	127 ³ / ₈ "
102 ³ / ₈ "	27 ⁷ / ₈ "	130 ¹ / ₄ "
104 ³ / ₄ "	28 ³ / ₈ "	133 ¹ / ₈ "
107 ¹ / ₈ "	28 ⁷ / ₈ "	136"
109 ¹ / ₂ "	29 ³ / ₈ "	138 ⁷ / ₈ "
111 ⁷ / ₈ "	29 ⁷ / ₈ "	141 ³ / ₄ "
114 ¹ / ₄ "	30 ³ / ₈ "	144 ⁵ / ₈ "
116 ⁵ / ₈ "	30 ⁷ / ₈ "	147 ¹ / ₂ "
119"	31 ³ / ₈ "	150 ³ / ₈ "
121 ¹ / ₄ "	31 ⁷ / ₈ "	153 ¹ / ₈ "
123 ⁵ / ₈ "	32 ³ / ₈ "	156"
126"	32 ⁷ / ₈ "	158 ⁷ / ₈ "
128 ³ / ₈ "	33 ³ / ₈ "	161 ³ / ₄ "
130 ³ / ₄ "	33 ⁷ / ₈ "	164 ⁵ / ₈ "
133 ¹ / ₈ "	34 ³ / ₈ "	167 ¹ / ₂ "
135 ¹ / ₂ "	34 ⁷ / ₈ "	170 ³ / ₈ "
137 ⁷ / ₈ "	35 ³ / ₈ "	173 ¹ / ₄ "
140 ¹ / ₄ "	35 ⁷ / ₈ "	176 ¹ / ₈ "
142 ⁵ / ₈ "	36 ³ / ₈ "	179"
145"	36 ⁷ / ₈ "	181 ⁷ / ₈ "
147 ³ / ₈ "	37 ³ / ₈ "	184 ³ / ₄ "
149 ³ / ₄ "	37 ⁷ / ₈ "	187 ⁵ / ₈ "
152"	38 ³ / ₈ "	190 ³ / ₈ "
153 ¹ / ₈ "	38 ⁷ / ₈ "	192"

Split Stack		
Uncovered Width Up To	Stackback Up To	Ordered Width
7 ³ / ₈ "	4 ¹ / ₂ " (x 2)	16 ³ / ₈ "
12 ¹ / ₈ "	5" (x 2)	22 ¹ / ₈ "
16 ⁷ / ₈ "	5 ¹ / ₂ " (x 2)	27 ⁷ / ₈ "
21 ⁵ / ₈ "	6" (x 2)	33 ³ / ₈ "
26 ³ / ₈ "	6 ¹ / ₂ " (x 2)	39 ³ / ₈ "
31"	7" (x 2)	45"
35 ³ / ₄ "	7 ¹ / ₂ " (x 2)	50 ³ / ₄ "
40 ¹ / ₂ "	8" (x 2)	56 ¹ / ₂ "
45 ¹ / ₄ "	8 ¹ / ₂ " (x 2)	62 ¹ / ₄ "
50"	9" (x 2)	68"
54 ³ / ₄ "	9 ¹ / ₂ " (x 2)	73 ³ / ₄ "
59 ¹ / ₂ "	10" (x 2)	79 ¹ / ₂ "
64 ¹ / ₈ "	10 ¹ / ₂ " (x 2)	85 ¹ / ₈ "
68 ⁷ / ₈ "	11" (x 2)	90 ⁷ / ₈ "
73 ⁵ / ₈ "	11 ¹ / ₂ " (x 2)	96 ⁵ / ₈ "
78 ³ / ₈ "	12" (x 2)	102 ³ / ₈ "
83 ¹ / ₈ "	12 ¹ / ₂ " (x 2)	108 ¹ / ₈ "
87 ⁷ / ₈ "	13" (x 2)	113 ⁷ / ₈ "
92 ¹ / ₂ "	13 ¹ / ₂ " (x 2)	119 ¹ / ₂ "
97 ¹ / ₄ "	14" (x 2)	125 ¹ / ₄ "
102"	14 ¹ / ₂ " (x 2)	131"
106 ³ / ₄ "	15" (x 2)	136 ³ / ₄ "
111 ¹ / ₂ "	15 ¹ / ₂ " (x 2)	142 ¹ / ₂ "
116 ¹ / ₄ "	16" (x 2)	148 ¹ / ₄ "
120 ⁷ / ₈ "	16 ¹ / ₂ " (x 2)	153 ⁷ / ₈ "
125 ⁵ / ₈ "	17" (x 2)	159 ⁵ / ₈ "
130 ³ / ₈ "	17 ¹ / ₂ " (x 2)	165 ³ / ₈ "
135 ¹ / ₈ "	18" (x 2)	171 ¹ / ₈ "
139 ⁷ / ₈ "	18 ¹ / ₂ " (x 2)	176 ⁷ / ₈ "
144 ⁵ / ₈ "	19" (x 2)	182 ⁵ / ₈ "
149 ¹ / ₄ "	19 ¹ / ₂ " (x 2)	188 ¹ / ₄ "
152"	20" (x 2)	192"

Please Note:

- The maximum uncovered width of split stack sheers is 152".
- Moving wand system is not available in a split stack configuration.

Vertical Sheer Shadings

GENERAL INFORMATION

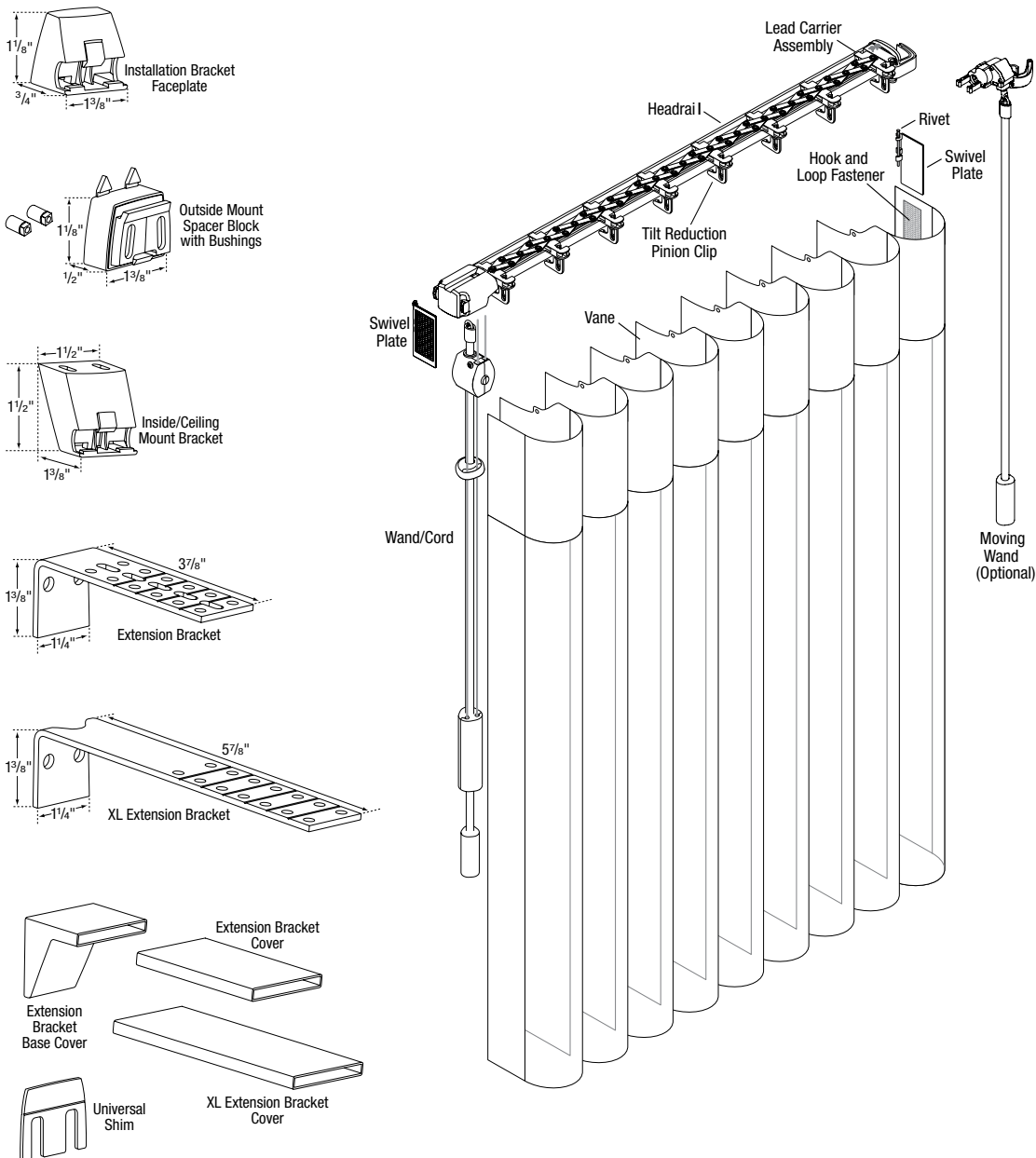
Measuring, Mounting Requirements and Installation Information

- Outside mount applications are highly recommended. Inside mount installations **are not recommended** due to the light gaps that occur when the vanes are closed.
- Moving wands control option is only available with outside mount side stack shadings.
- **Top clearance is required for head rail installation.** The rail must be tilted upward to fit into the installation bracket faceplate.

Installation Brackets

- Installation bracket faceplates with spacer blocks are used for outside mounts.
- Inside/ceiling mount brackets are used for inside and ceiling mounts. These brackets are also used with extension brackets for outside mounts needing extra clearance.

Ordered Width	Installation Brackets Required
Up to 40"	2
40 $\frac{1}{8}$ " to 70"	3
70 $\frac{1}{8}$ " to 96"	4
96 $\frac{1}{8}$ " -155"	6
155 $\frac{1}{8}$ " -192"	8



Vertical Sheer Shadings

GENERAL INFORMATION

Important Measuring Guidelines for Sheer Vertical Sheer Shadings. Comfortex accepts measurements down to 1/16" increments.

Precise width and length measurements are critical. Fabric width cannot be altered after the shading is fabricated.

Please use a metal tape measure for accuracy.

The head rail must be installed perfectly level to ensure smooth operation. On an inside mount, it is recommended that you check to see that the mounting surface is level and consistent. If your soffit needs to be leveled, this should be done before measuring.

Inside Mount

Measure across the width of your window opening in three different places - top, middle and bottom. Measurements should be taken within the window jamb. Provide the smallest of the three measurements to Comfortex. Be exact. Comfortex will make the necessary deductions to fit the window opening.

Measure the length of the window opening from the underside of the soffit to the surface of the window sill in two places - use the smallest of these two measurements.

Outside Mount

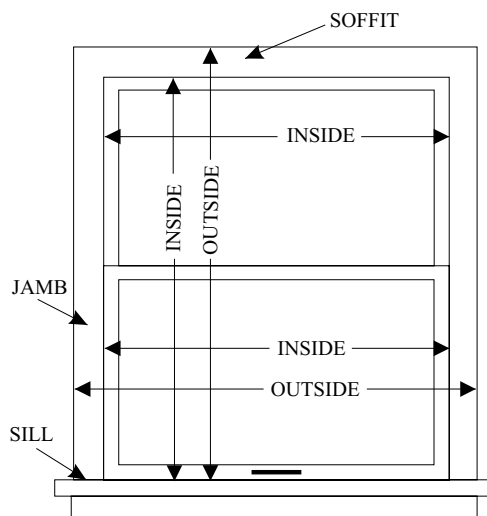
Measure the exact width and length of the area to be covered. On the width, allow at least 1 1/2" of an overlap on each side. An overlap of 3" on each side is recommended. Be sure to take into consideration any obstructions such as window trim, molding, locks and window cranks.

Side Mount

Side mount is not available with DoorStyles Shadings.

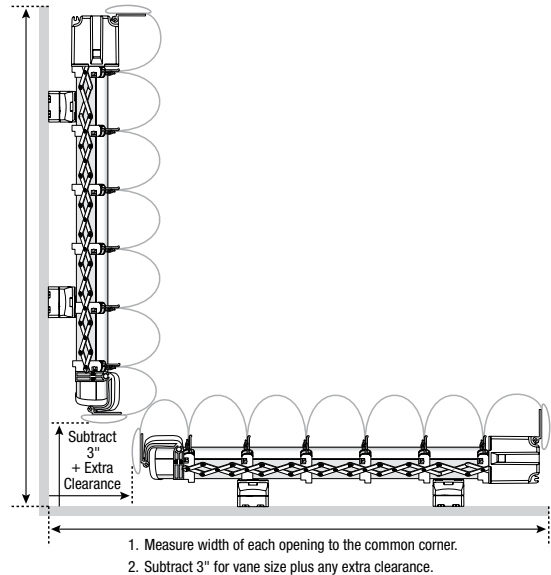
Shangri-La may be side mounted using "L" brackets. For side mounts, follow the instructions for inside mounts. An additional 1/2" will be taken off the standard inside mount deduction to allow room for the "L" brackets.

The maximum shading width utilizing the side mount option is 48".



Measuring for Corner Windows

- Measure the width of both openings to the common corner.
- Deduct the depth of the treatment from the width of each measurement so they will meet in the corner but not overlap. Deduct 3".
- If additional spacer blocks or extension brackets will be used for extra clearance on outside mounts, add the amount of extra clearance to the deduction.
- Order the width less the deduction for each window.

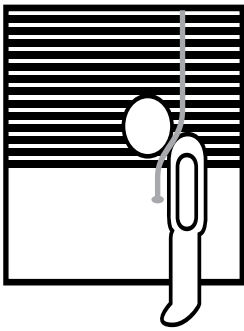


How to Avoid Common Ordering Errors

- If an outside mounted Vertical Sheer Shading hangs to the floor, allow for a minimum of 1/2" for floor clearance.
 - Allow for more clearance, if needed (with thick pile carpet, for example).
 - Be sure the installer understands your floor clearance allowance so that he or she mounts the brackets at the proper height.
- Be sure to measure for the recommended outside mount height and width overlaps. Include Stackback, if desired (see pages 13-14).
- With side stack Vertical Sheer Shadings, specify the correct stacking side.
 - If a sliding glass door opens on the right side (slides to the left), order a left stack.
 - If it opens on the left side (slides to the right), order a right stack.

Vertical Sheer Shadings GENERAL INFORMATION

⚠️ WARNING



Window Blind Cord Can
STRANGLE Your Child.

To prevent strangulation, purchase
cordless products or products with
inaccessible cords.

⚠️ ADVERTENCIA

La cuerda ciega de la ventana
puede ESTRANGULAR su niño.

Para evitar el estrangulamiento,
compre alternativas inalámbricas o
productos con cables inaccesibles.

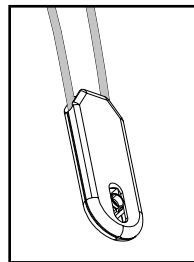
Child Safety

All Comfortex products have been fully tested and proven to comply with the current WCMA Standards for Safety of Window Covering Products.

Be aware that it is possible for children to become entangled in window covering cords. To reduce the risk of accidents, all cords must be kept out of the reach of children.

Cord Tensioners

Cord tensioners used on Shangri-La and Soft Tones Shadings continuous cord loops keep the continuous cord loops taut to prevent children and pets from becoming entangled and subsequently injuring themselves. Cord tensioners must be used with Shangri-La and Soft Tones Shadings to comply with the Consumer Product Safety Commission (CPSC) and WCMA Child Safety Guidelines.



Cord Tensioner

Shangri-La Shadings with Retractable Cord Hardware

Retractable Cord hardware is safe alternative to conventional cord loop controls by retracting and limiting the cord length. We recommend using cord cleats.

Vertical Sheer Shadings

The combination wand/cord option integrates both tilt and traverse functions into one easy-to-use control that keeps the cord taut. The moving wand option used on Vertical Sheer Shadings allows all functions to be controlled by a single wand without the need for operating cords.

Cleaning and Care

Overtones Sheer Shadings are made from a sturdy, knitted polyester fabric which can be feather dusted or vacuumed at a low setting. Spots or stains can be lightly rubbed clean with a damp sponge and mild soap. To avoid discoloration of the material, we recommend against the use of chemical cleaners.

Precautions should be taken to reduce exposure to harsh environmental elements, such as salt air. Continuous exposure to salt air through open windows and doors will accelerate fabric deterioration over time.

Important: Do not clean the fabric using electrostatic wipes such as Swiffer® or Pledge Grab-It®.

Ultrasonic Cleaning

OverTones Sheer Shadings can be ultrasonically cleaned. Adco OnSite Fabricare provides shading and blind cleaning services. For more information, visit www.onsitefabricare.com. Comfortex acknowledges these cleaning methods as being safe and effective. We cannot attest to the quality of equipment or services provided by any independent cleaning facility.

For additional advice on care or cleaning, please contact the Comfortex Technical Service Department at 800-843-4151.

VERTICAL SHEER SHADINGS

	Page
Hardware Options & Pricing	1
Size Standards	2
Hardware Options Pricing	3
 PRICE GRIDS	
3½" Vertical Sheer Shadings Light Filtering Price Group 1	3
3½" Vertical Sheer Shadings Room Darkening Price Group 2	3
 HARDWARE	
Standard Hardware	5
 GENERAL INFORMATION	
Mounting Requirements	9
Panel Gaps	11
Stackback	12
Brackets	14
Measuring	15
Cleaning and Care.	16
Child Safety	16



Midwest
Designer
Supply

1-888-523-2611

**Midwest Designer Supply, Inc.
N30W22377 Green Road Ste C
Waukesha, WI 53186
(262) 523-2600
Fax (262) 524-1007
www.midwestdesignersupply.com**

MDS - your one source for window fashions.